

# LG Series Low Capacity Force Gauge

The CHATILLON® LG Series mechanical force gauge is ideal for a wide range of force testing applications. Based on our popular DPP Series force gauge, the LG Series features a larger, 2.25-inch dial for improved resolution and readability, peak hold button, ergonomic shape and improved accuracy of  $\pm 0.5\%$  of full scale. The LG gauge is an excellent, economical solution for tensile or compression testing.

The durable, plastic housing fits naturally in the hand for a comfortable and firm grip even at maximum loads. Gauges may be mounted to a test stand for even greater control and consistent results in repetitive testing applications. Easy to read concentric dial measures clockwise only. Dial rotates 360-degrees for taring. A peak hold button captures peak readings and can be easily and quickly returned to zero. A mechanical overload feature protects the gauge from damage. Available in lbf, kgf or N units of measure. LG Series gauges come complete with protective carrying case and a set of stainless steel attachments. A Certificate of Calibration with Data is supplied standard.

## FEATURES

- Easy to Use, Durable Construction
- Tensile or Compression Testing
- Intrinsically Safe
- Capacities Up to 100 lbs (25 kg, 250 N)
- Push or Pull Operations
- Tare Ring
- Peak Capture
- NIST Calibration with Data

## SPECIFICATIONS

Accuracy:	$\pm 0.5\%$ of Full Scale
Display:	2-1/4 inch (57 mm)
Peak Capture:	Switch Selectable
Overload Capacity:	110% of capacity
Weight:	1.5 lbs (0.68 kg)
Warranty:	2 Years



**SPECIFICATION**  
SS-FM-3101-0103  
January 2003

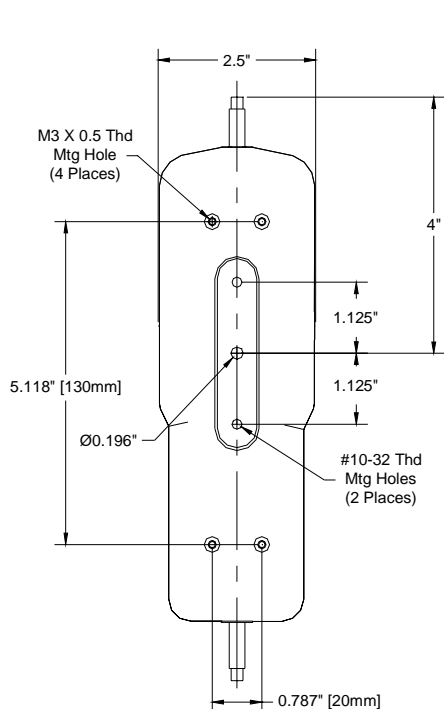
**INTERNET**  
[www.ametek.com](http://www.ametek.com)  
[www.chatillon.com](http://www.chatillon.com)  
[www.lloyd-instruments.co.uk](http://www.lloyd-instruments.co.uk)

AMETEK and CHATILLON are registered trademarks of AMETEK, Inc.  
LLOYD INSTRUMENTS is a trademark of AMETEK, Inc.

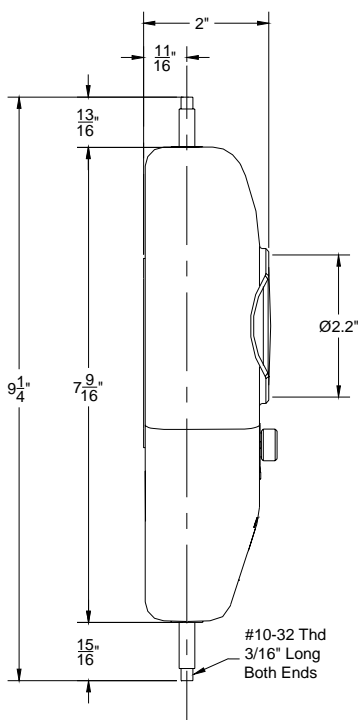
Copyright 2000, by AMETEK, Inc.  
Printed in U.S.A

**Chatillon**   
A registered trademark of AMETEK Inc.

## DIMENSIONS



E96-328



## ACCESSORIES

### Standard Accessories

Part No.	Description
SPK-FMG-008A	Chisel Point
SPK-FMG-009A	Point
SPK-FMG-010A	Notch
SPK-FMG-011A	Flat
SPK-FMG-012A <sup>1</sup>	Hook, Stationary, 20 lbf
SPK-FMG-012B <sup>1</sup>	Hook, Stationary, 100 lbf
SPK-FMG-013A	Extension Rod, 6-inch
NC002710	Carrying Case
NC002711	Operator's Manual

Note: <sup>1</sup> Capacity dependent.

### Optional Accessories

Part No.	Description
ML3867	Hook, Swivel (20 lbf)
ML3850	Hook, Swivel (100 lbf)
NC000988-3	Extension Rod, 3-inch

## ORDERING INFORMATION

### Decimal Dials (LBF)

Model	Capacity x Resolution
LG-002	2 x 0.01 lbf
LG-005	5 x 0.025 lbf
LG-010	10 x 0.05 lbf
LG-020	20 x 0.1 lbf
LG-030	30 x 0.15 lbf
LG-050	50 x 0.25 lbf
LG-075	75 x 0.375 lbf
LG-100	100 x 0.5 lbf

### Decimal Dials (KGF)

Model	Capacity x Resolution
LG-1KG	1 x 0.005 kgf
LG-2KG	2 x 0.01 kgf
LG-3KG	3 x 0.015 kgf
LG-5KG	5 x 0.025 kgf
LG-10KG	10 x 0.05 kgf
LG-20KG	20 x 0.1 kgf
LG-30KG	30 x 0.15 kgf
LG-50KG	50 x 0.25 kgf

### S.I. Dials (Newtons)

Model	Capacity x Resolution
LG-10N	10 x 0.05 N
LG-20N	20 x 0.1 N
LG-30N	30 x 0.15 N
LG-50N	50 x 0.25 N
LG-100N	100 x 0.5 N
LG-200N	200 x 1 N
LG-300N	300 x 1.5 N
LG-500N	500 x 2.5 N

# AMETEK

## TEST AND CALIBRATION INSTRUMENTS

**Americas**  
 AMETEK TCI Division  
 8600 Somerset Drive  
 Largo, Florida 33773  
 United States of America  
 Tel +1-727-536-7831  
 Tel +1-800-527-9999  
 Fax +1-727-539-6882  
 Email chatillon.fl-har@ametek.com

**United Kingdom**  
 AMETEK Lloyd Instruments Ltd.  
 Forum House, 12 Barnes Wallis Rd  
 Segensworth East  
 Fareham  
 Hampshire PO15 5TT  
 United Kingdom  
 Tel +44-0-1489-574221  
 Fax +44-0-1489-885118  
 Email general@lloyd-instruments.co.uk

**France**  
 AMETEK Lloyd Instruments SA  
 3 avenue des Coudriers  
 Zone d'Activite de l'Observatoire  
 78180 Montigny-Le Bretonneux  
 France  
 Tel +33-1-3057-4774  
 Fax +33-1-3057-5033  
 Email general@lloyd-instruments.co.uk

**Germany**  
 AMETEK Precision Instruments  
 Europe GmbH  
 Rudolf-Diesel-Strasse 16  
 D-40670 Meerbusch  
 Germany  
 Tel +49-0-2159-9136-70  
 Fax +49-0-2159-9136-80  
 Email apie@ametek.de

**Singapore**  
 AMETEK Singapore Pvt. Ltd.  
 10 Ang Mo Kio Street 65  
 #05-12 Techpoint  
 Singapore 569059  
 Tel +65-484-2388  
 Fax +65-481-6588  
 Email aspl@ametek.com.sg

**Australia**  
 AMETEK Lloyd Instruments  
 No. 7 Sherwood Place  
 Alexander Heights  
 6064 Perth  
 Australia  
 Tel +61-8-9343-5725  
 Fax +61-8-9343-5723  
 Email general@lloyd-instruments.co.uk

Information within this document is subject to change without notice.



ISO 9001  
 ISO 17025  
 Manufacturer